



PRODUCTS

All Glastra or Glastra/Wood windows

- ▶ Casements
- ▶ Awnings
- ▶ Double hungs
- ▶ Sliding windows
- ▶ Direct sets (including radius and geometric specialty windows)

COMPLEMENTARY

Select doors designed to complement Forgent Series products

- ▶ Inswing doors
- ▶ Outswing doors
- ▶ Sliding patio doors

FORGENT® SERIES

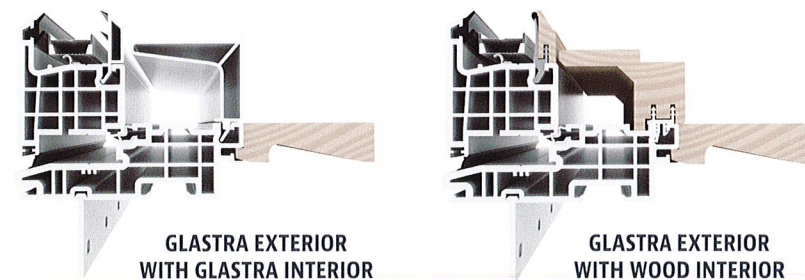
Kolbe's dedication to innovation, quality and product design has led to the Forgent® Series. This high-performance product line features proprietary material and thoughtful design, making it simple, convenient and easy to install. Short lead times for projects requiring windows quickly make the Forgent Series a perfect choice for new construction or replacement.

THE FORGENT SERIES PROVIDES:

- Strong and resilient Glastra® exterior with Glastra or wood interior
- Advanced ladder design with multiple chambers for strength and energy efficiency
- Three convenient installation methods: integral nailing fin, installation clips, and screw through frame
- Welded sash and frame to prevent air and water infiltration
- Impact certified units, up to IPD4, are available in all Forgent Series product types

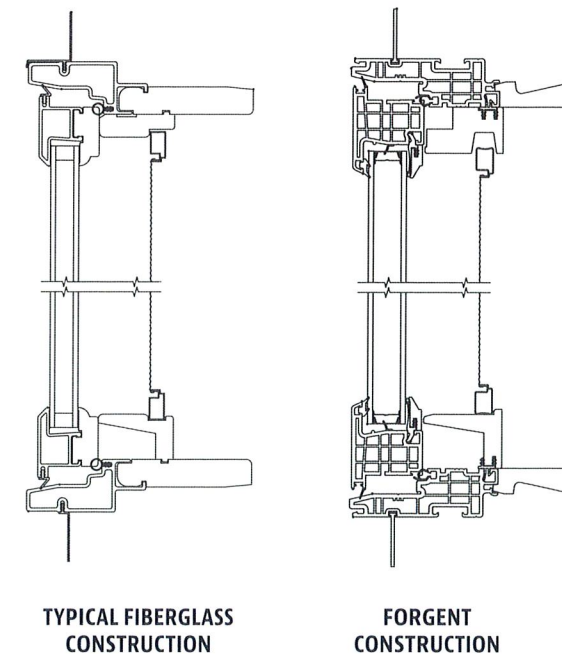
MATERIAL

Forgent Series windows are comprised of Glastra®, a proprietary hybrid of fiberglass and UV stable polymer, formulated for strength and resilience. Windows are engineered with Glastra on the exterior, and Glastra or wood on the interior.



CONSTRUCTION

Forgent Series windows are constructed of multi-chambered Glastra extrusions. This advanced ladder design offers numerous benefits – the chambers add strength and promote energy efficiency.



OPTIONS

GLASS

- ▶ Double pane; Insulated glass
- ▶ Triple pane; Insulated glass
- ▶ Various Low-E coatings
- ▶ Specialty glass

DIVIDED LITES

- ▶ Performance divided lites
- ▶ Grilles-in-the-airspace

HARDWARE FINISHES

- ▶ Clay
- ▶ White
- ▶ Satin Nickel
- ▶ Matte Black

EXTERIOR ACCESSORIES

- ▶ Casings
- ▶ Brickmoulds
- ▶ Frame expanders
- ▶ J-Channels
- ▶ Sill nosings

GLASTRA is an innovative, recyclable material that helps form the resilient foundation of Forgent Series products. Manufacturing byproducts are repurposed for use in other industries. ♻️



FORGENT® SERIES



www.kolbewindows.com

1323 S. 11th Avenue | Wausau, WI 54401-5998
715.842.5666

WINDOWS & DOORS
We're for the visionaries.™



© 2020 Kolbe & Kolbe Millwork Co., Inc. Kolbe & Kolbe Millwork Co., Inc. reserves the right to change specifications without notice. The photography featured herein does not necessarily imply an endorsement of Kolbe products by the property owners. Photography used may not represent current Kolbe product features and options.

Front cover photo © Spacecrafting Photography | Builder: Denali Custom Homes | Interior Design: Redstone Interiors